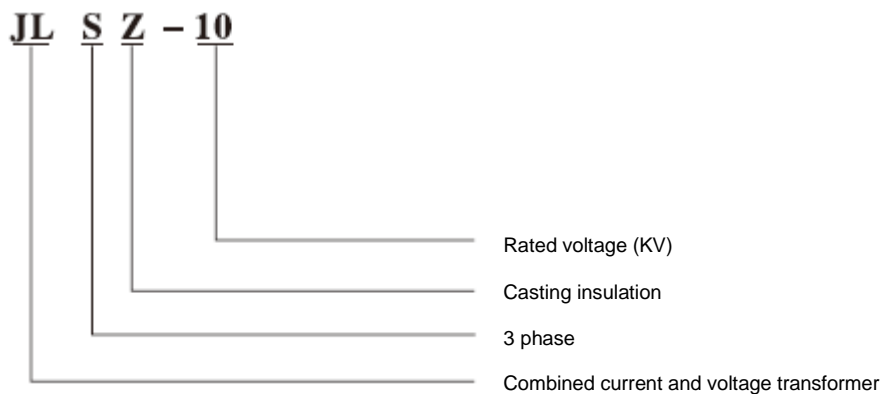


JLSZ-10 Combined Instrument Transformer

Brief introduction

The current and voltage combined type instrument transformer is used in power system of 50Hz or 60 Hz rated frequency, 1KV and below rated voltage, for energy measurement.

Type designation



Technical data

Voltage transformer

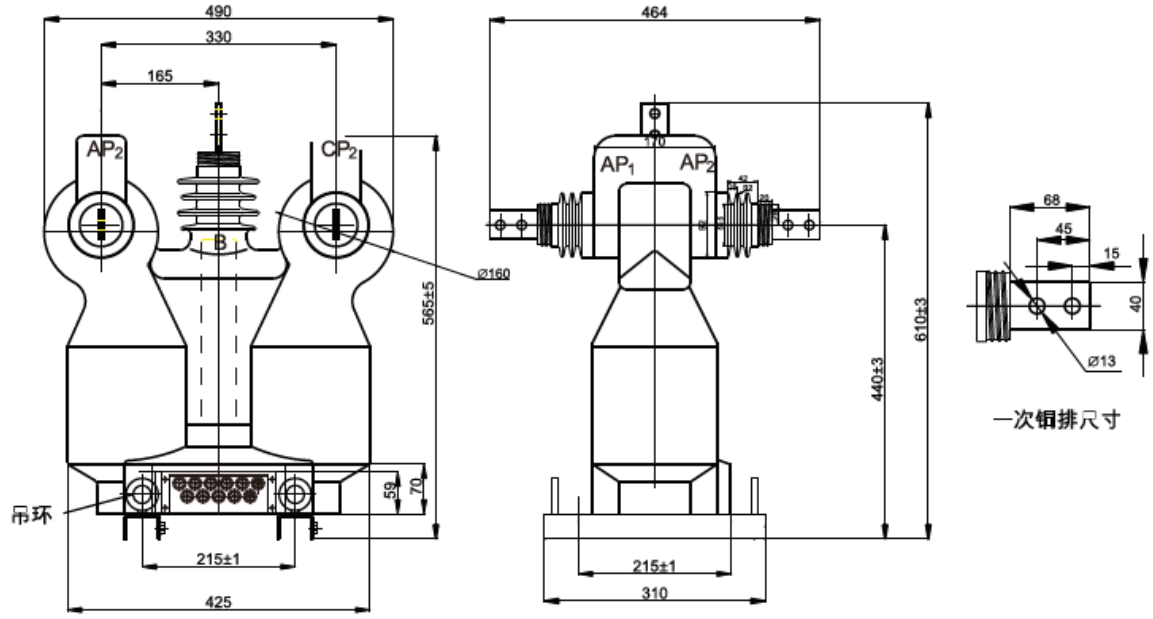
Rated voltage ratio (KV)	Accuracy grade	Rated output(VA)	Limit output(VA)	Rated insulation level (VA)
10/0.1	0.2	15	300	12/42/75

Current transformer

Rated current ratio (A)	Accuracy grade	Rated output(VA)	Short-time thermal current (KA/s)	Dynamic current (KA)	Rated insulation level (VA)
5-200/5	0.2S	15	100I _n	2.5I _{th}	12/42/75

Note: If the user's required data is different from the above-mentioned scope, it can be negotiated to solve the problem

Overall dimensions:



Wiring diagram

